



### Technical data

Voltage	U	230	V
Phase		1	~
Frequency		50	Hz
Speed		900	RPM
Power consumption	P <sub>e</sub>	630	W
Nominal current	I	3	A
Maximum current	I	3.6	A
Capacitor		16/400	μF
Ambient temperature	T <sub>amb min/max</sub>	-25...40	°C
Insulation Class		CL.F	
IP Class		IP55	
Weight		21.0	kg
Packing dimensions		800x790x395	mm



Please note: Picture may deviate from original product

### Fan details

Impeller blades	5
Impeller type	5
Impeller system	G
Impeller material	PG

### Control options

Triac controller	Yes
Transformer	Yes
Frequency drive	No
Intelligent Fan Drive	Yes

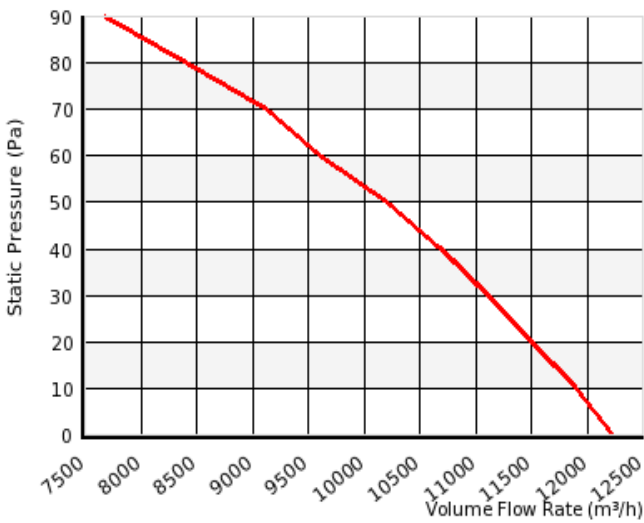
\* All control options including single phase control frequency are available. Please contact Vostermans Ventilation Sales for more information

### Approval(s)



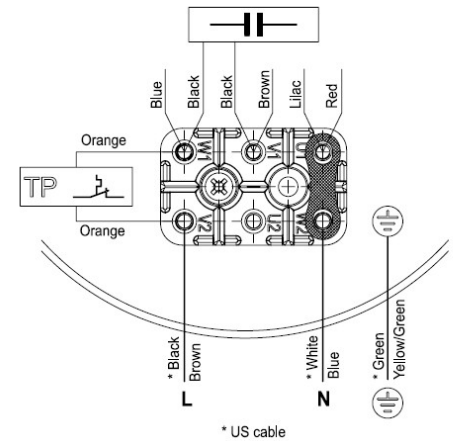
### Characteristics

0 Pa	12200 m <sup>3</sup> /h
50 Pa	10200 m <sup>3</sup> /h

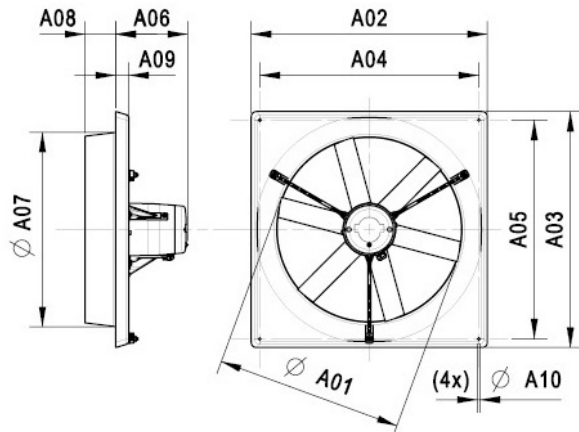


### Wiring diagram

AA01 - CCW



### Dimensions



A01	646 mm
A02	775 mm
A03	775 mm
A04	715 mm
A05	715 mm
A06	247 mm
A07	670 mm
A08	105 mm
A09	40 mm
A10	10 mm